

DH-IPC-HD3100

1.3Megapixel Network Dome Camera



Features

- 1/3" 1.3Megapixel progressive scan Aptina CMOS
- H.264 & MJPEG dual-stream encoding
- Max 15fps@1.3M(1280×960)&25/30fps@720P(1280×720)
- Day/Night(ICR), DWDR, 2DNR, Auto iris, AWB, AGC, BLC
- Multiple network monitoring: Web viewer, CMS(DSS/PSS) & DMSS
- 2.8~12mm varifocal lens
- Built-in 1/1 alarm in/out
- Micro SD memory, PoE

DH-IPC-HD3100

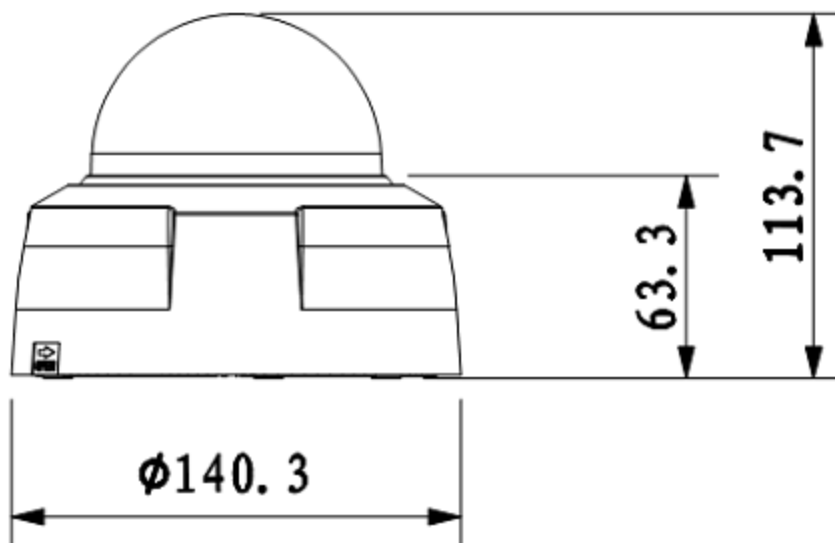
Technical Specifications

Model	DH-IPC-HD3100P		DH-IPC-HD3100N	
Camera				
Image Sensor	1/3" 1.3Megapixel Aptina CMOS			
Effective Pixels	1280(H)x960(V)			
Scanning System	Progressive			
Electronic Shutter Speed	Auto/Manual 1/3~1/10000	Auto/Manual 1/4~1/10000		
Min. Illumination	0.1lux/F1.2(color),0.005Lux/F1.2(B/W)			
S/N Ratio	> 50dB			
Camera Features				
Day/Night	Auto(ICR)/Color/B/W			
Backlight Compensation	Off/BLC/HLC/DWDR			
White Balance	AUTO			
Gain Control	Auto/Manual			
Noise Reduction	2D			
Privacy Masking	Up to 4 areas			
Lens				
Focal Length	2.8~12mm			
Max Aperture	F1.4			
Focus Control	Manual			
Angle of View	H: 92°(Wide)~27.2°(Tele)			
Lens Type	Manual/Auto Iris (DC)			
Mount Type	Board-in Type			
Video				
Compression	H.264 / MJPEG			
Resolution	1.3M(1280×960) / 720P(1280×720) / D1(704×576) / CIF(352×288) /	/	1.3M(1280×960) / 720P(1280×720) / D1(704×480) / CIF(352×240) /	/
Frame Rate	Main Stream	1.3M (1~ 15fps) /720P(1 ~ 25/30fps)		
	Sub Stream	D1/CIF(1 ~ 25/30fps)		
Bit Rate	H.264: 32K ~ 8192Kbps, MJPEG: 32K ~ 12288Kbps			
Audio				
Compression	G.711a / G.711u (64kbps)/ PCM(128kbps)			
Interface	1/1 channel In/Out			
Network				
Ethernet	RJ-45 (10/100Base-T)			
Protocol	IPv4/IPv6, HTTP, HTTPS, SSL, TCP/IP, UDP, UPnP, ICMP, IGMP, SNMP, RTSP, RTP, SMTP, NTP, DHCP, DNS, PPPOE, DDNS, FTP, IP Filter, QoS, Bonjour			
ONVIF	ONVIF Ver. 2.0			
Max. User Access	10 users			
Smart Phone	iPhone, iPad, Android, Windows Phone			

DH-IPC-HD3100

Auxiliary Interface	
Memory Slot	Micro SD, Max 32GB
Alarm	1/1 channel In/Out
General	
Power Supply	DC12V, PoE(802.3af)
Power Consumption	<3W
Working Environment	-10°C~+60°C, 10%~90%
Dimensions	Φ140.3x113.7mm
Weight	0.8kg

Dimensions (mm)



Dahua Technology Co., Ltd.

1187 BinAn Road, Binjiang District, Hangzhou, China

Tel: +86-571-87688883

Fax: +86-571-87688815

Email:overseas@dahuatech.com

www.dahuatechsecurity.com

*Design and specifications are subject to change without notice.

© 2013 Dahua Technology Co., Ltd.