

2MP Network IR Fixed Dome Camera

IPC3612ER3 Series



Key Features

Optics

- Day/night functionality
- Optical glass window with higher light transmittance
- IR anti-reflection window to increase the infrared transmittance
- Up to 30 m (98 ft) IR distance
- 3D DNR (Digital Noise Reduction)

Compression

- H.264/MJPEG
- Triple streams
- 9:16 corridor mode

Network

- ONVIF Conformance

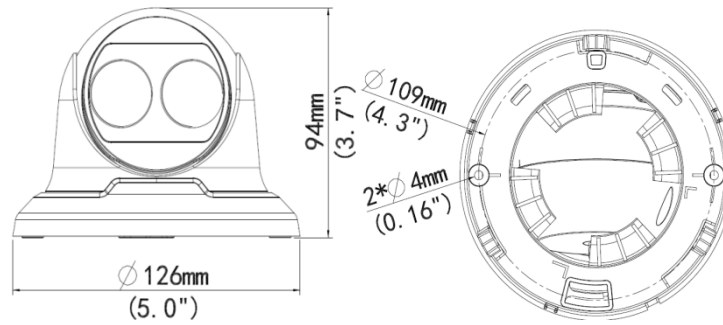
Structure

- Support PoE power supply(optional)
- Wide temperature range: -35°C to 60°C (-31°F to 140°F)
- Wide voltage range of $\pm 25\%$
- 4 KV surge protection designed for network interface
- IP66

Specifications

	IPC3612ER3-PF28	IPC3612ER3-PF36	IPC3612ER3-PF60
Camera			
Sensor	1/2.8", 2 megapixel, progressive scan, CMOS		
Lens	2.8mm@F1.8 Angle of view(H): 103°	3.6mm@F1.8 Angle of view(H): 80.5°	6mm@F1.8 Angle of view(H): 49.9°
Shutter	Auto/Manual, 1/6~1/8000 s		
Day/Night	IR-cut filter with auto switch (ICR)		
IR	30m (98 ft) IR range		
AWB(Auto white balance)	Auto/manual		
Gain Control	Auto/manual		
Image Rotation	Supported		
WDR	Digital		
Noise Reduction	2D/3D		
Video			
Max. Resolution	1920×1080		
Video Compression	H.264/MJPEG		
Frame Rate	1080P (1920×1080): Max. 30 fps; 720P (1280×720): Max. 30 fps; D1 (720×576): Max. 25 fps		
Video Streaming	Triple		
OSD	Up to 8 OSDs		
9:16 Corridor Format	Supported		
Motion Detection	Up to 2 areas		
Privacy Mask	Up to 4 areas		
Network			
Protocols	IPv4,IGMP,ICMP,ARP,TCP,UDP,DHCP,RTP,RTSP,Qos,DNS,DDNS,NTP,FTP,UPnP,HTTP		
Compatible Integration	ONVIF		
Interface			
Network	10M/100M Base-TX Ethernet		
General			
Power	12 V DC, or PoE (IEEE802.3 af)		
	Power consumption: 3.5W (5.5W with IR on)		
Dimensions (Ø x H)	Φ126 x 94 mm (Ø5.0" x 3.7")		
Weight	0.33 kg (0.73 lb)		
Working Environment	-35°C ~ +60°C (-31°F ~ 140°F), Humidity ≤ 90% RH(non-condensing)		
Ingress Protection	IP66		

Dimensions



Zhejiang Uniview Technologies Co., Ltd.

South Tower, Building 10, Wanlun Science Park, 88 Jiangling Road, Hangzhou, P.R.China 310051

Email: overseasbusiness@uniview.com; globalsupport@uniview.com

<http://www.uniview.com>

©2015 Zhejiang Uniview Technologies Co., Ltd. All rights reserved.

*Product specifications and availability are subject to change without notice.