

1.3MP 30x IR Network PTZ Dome Camera

IPC6221ER-X30(P)



Key Features

Optics

- 30X Optical Zoom
- Accurate and fast focusing
- Smart IR, up to 100 m (328 ft) IR distance
- Optical glass window with higher light transmittance
- IR anti-reflection window to increase the infrared transmittance

Compression

- H.264 High Profile
- Triple streams
- Customized OSD

Network

- ONVIF Conformance

Structure

- Innovative snow-removing functionality
- More effective heat dissipation system
- Intelligent temperature control technology

- 6 KV surge protection designed for network interface

Specifications

	IPC6221ER-X30	IPC6221ER-X30P
Camera		
Sensor	1/3", 1.3 megapixel, progressive scan, CMOS	
Lens	4.5 ~ 135 mm (30x optical zoom)	
Angle of View (H)	61.5° (wide) ~ 2.1° (tele)	
Iris	Auto/Manual; F1.6 ~ F4.8	
Shutter	Auto/Manual; shutter time: 1/6 s ~ 1/8000 s	
Minimum Illumination	Color: 0.03 lux (F1.6, 50IRE) B/W: 0.01 lux (F1.6, 50IRE)	
S/N	>50dB	
Day/Night	IR-cut filter with auto switch (ICR)	
Video		
Max. Resolution	1280 × 960	
Video Compression	H.264, MJPEG	
Frame Rate	960P (1280*960) 30 fps; 720P (1280*720) 30 fps; D1 (720*576) 25 fps	
Video Streaming	Triple	
OSD	Up to 8 OSDs	
Privacy Mask	Up to 8 areas	
Digital Zoom	Supported	
Audio		
Audio Compression	G.711	
Two-way audio	Supported	
Storage		
Edge Storage	Micro SD, up to 64 GB	
Network		
Protocols	L2TP, IPv4, IGMP, ICMP, ARP, TCP, UDP, DHCP, PPPoE, RTP, RTSP, NTP, FTP, HTTP, SNMP, SIP	
Compatible Integration	ONVIF, IMOS, API	
Pan & Tilt		
Pan Range	360° (endless)	
Pan Speed	0.1°/s ~ 240°/s	
	Preset speed: 300°/s	
Tilt Range	-15° ~ +90° (auto reverse)	
Tilt Speed	0.1° ~ 160°/s	
	Preset speed: 240°/s	
Number of Preset	255	
Patrol	Up to 16 patrols, up to 32 presets per patrol Note: The total number of patrols and patterns is 16.	
Pattern	Up to 16 patterns, with the total recording time not less 15 minutes per pattern	

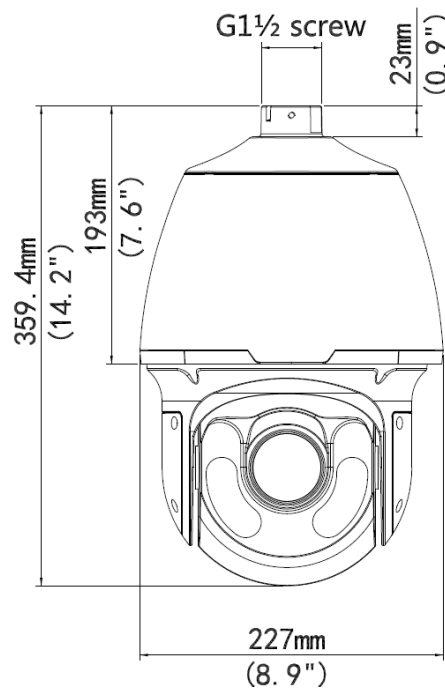
Interface

Audio I/O	Audio cable
	Input: impedance 35 kΩ; amplitude 2 V [p-p]
	Output: impedance 600 Ω; amplitude 2 V [p-p]
Alarm I/O	1/ 1
Network	1 RJ45 10M/100M Base-TX Ethernet

General

Power	24 V AC, 24 V DC	24 V AC, 24 V DC, PoE
	Power consumption: 9 ~ 42W (IR:16W, heater: Max. 24 W)	
Dimensions (Ø x H)	Ø227 x 359.4 mm (Ø8.9" x 14.2")	
Weight	5.28 kg (11.6 lb)	
Working Environment	-40°C ~ +65°C (-40°F ~ 149°F), Humidity ≤ 90% RH(non-condensing)	
Ingress Protection	IP66	

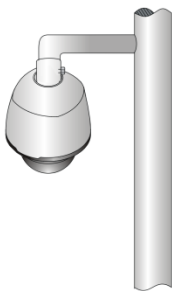
Dimensions



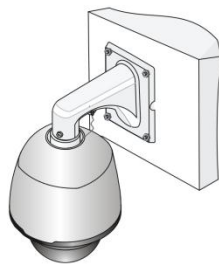
Installation



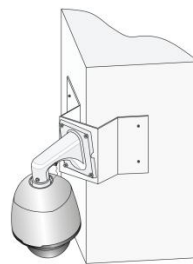
Pendant mount



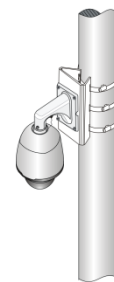
Standing pole mount



Wall mount



Corner mount



Pole mount

Accessories

Installation mode	Accessories	Description
Pendant mount	TR-CE45-IN bracket	/
	Pendant components: TR-UF45-A-IN indoor ceiling plate TR-UF45-B-IN outdoor ceiling plate TR-SE45-IN pendant rod (200mm) TR-SE45-A-IN pendant rod (500mm)	Ceiling plate is optional with different pendant rod for various applications
Standing pole mount	Customized bracket	The interface is designed with internal G1½ screws. The screw depth must be more than 23 mm.
Wall mount	TR-WE45-IN bracket	/
Corner mount	TR-WE45-IN bracket + TR-UC08-A-IN bracket	/
Pole mount	TR-WE45-IN bracket + TR-UP08-A-IN bracket	/

Zhejiang Uniview Technologies Co., Ltd.

Building No.10, Wanlun Science Park, Jiangling Road 88, Binjiang District, Hangzhou, Zhejiang, China (310051)

Email: overseasbusiness@uniview.com; globalsupport@uniview.com

<http://www.uniview.com>

©2015 Zhejiang Uniview Technologies Co., Ltd. All rights reserved.

*Product specifications and availability are subject to change without notice.