

# 2MP 20x IR Network PTZ Dome Camera

IPC6222ER-X20(P)



## Key Features

### Optics

- Accurate and fast focusing
- The third-generation infrared technology
- Smart IR, up to 100 m (328 ft) IR distance
- Optical glass window with higher light transmittance
- IR anti-reflection window to increase the infrared transmittance

### Compression

- H.264 High Profile
- Triple streams
- Customized OSD

### Network

- ONVIF Conformance

### Structure

- Special structure and window design to battle bad weather (especially in dusty weather)
- Innovative snow-removing functionality
- More effective heat dissipation system

- Intelligent temperature control technology
- 6 KV surge protection designed for network interface

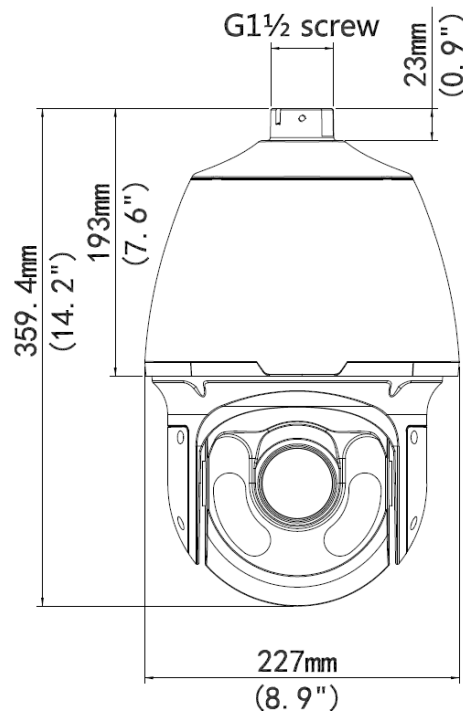
## Specifications

	IPC6222ER-X20	IPC6222ER-X20P
<b>Camera</b>		
Sensor	1/2.8", 2 megapixel, progressive scan, CMOS	
Lens	4.7 ~ 94 mm (20x optical zoom)	
Angle of View (H)	61.9° (wide) ~ 3.5° (tele)	
Iris	Auto/Manual; F1.6 ~ F3.3	
Shutter	Auto/Manual; shutter time: 1/6 s ~ 1/8000 s	
Minimum Illumination	Colour: 0.03 lux (F1.6, 50IRE) B/W: 0.01 lux (F1.6, 50IRE)	
S/N	>52dB	
Day/Night	IR-cut filter with auto switch (ICR)	
<b>Video</b>		
Max. Resolution	1920 × 1080	
Video Compression	H.264,MJPEG	
Frame Rate	1080P (1920×1080):Max.30 fps; 720P (1280×720):Max.30 fps; D1 (720×576):Max.25 fps	
Video Streaming	Triple	
OSD	Up to 8 OSDs	
Privacy Mask	Up to 8 areas	
Digital Zoom	Supported	
<b>Audio</b>		
Audio Compression	G.711	
Two-way audio	Supported	
<b>Storage</b>		
Edge Storage	SD, up to 64 GB	
<b>Network</b>		
Protocols	L2TP,IPv4,IGMP,ICMP,ARP,TCP,UDP,DHCP,PPPoE,RTP,RTSP, NTP,FTP,HTTP,SNMP,SIP	
Compatible Integration	ONVIF, IMOS,API	
<b>Pan &amp; Tilt</b>		
Pan Range	360° (endless)	
Pan Speed	0.1°/s ~ 240°/s	
	Preset speed: 300°/s	
Tilt Range	-15° ~ +90° (auto reverse)	
Tilt Speed	0.1° ~ 160°/s	
	Preset speed: 240°/s	
Number of Preset	255	
Patrol	Up to 16 patrols, up to 32 presets per patrol <b>Note:</b> The total number of patrols and patterns is 16.	
Pattern	Up to 16 patterns, with the total recording time not less 15 minutes per pattern	

**Interface**

Audio I/O	Audio cable	
	Input: impedance 35 k $\Omega$ ; amplitude 2 V [p-p]	
	Output: impedance 600 $\Omega$ ; amplitude 2 V [p-p]	
Alarm I/O	1 / 1	
Network	10M/100M Base-TX Ethernet	
<b>General</b>		
Power	24 V AC, 24 V DC	24 V AC, 24 V DC, PoE
	Power consumption: 9 ~ 42W (IR:16W, heater: Max. 24 W)	
Dimensions ( $\varnothing$ x H)	$\varnothing$ 227 x 359.4 mm ( $\varnothing$ 8.9" x 14.2")	
Weight	5.28 kg (11.6 lb)	
Working Environment	-40°C ~ +65°C (-40°F ~ 149°F), Humidity $\leq$ 90% RH(non-condensing)	
Ingress Protection	IP66	

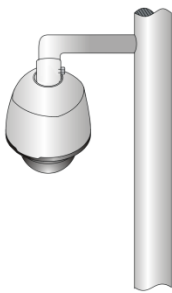
## Dimensions



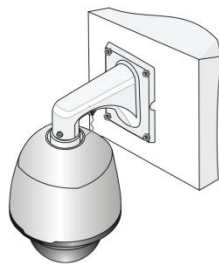
## Installation



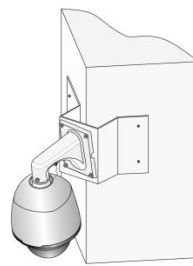
Pendant mount



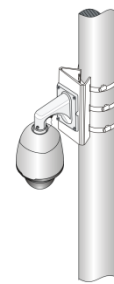
Standing pole mount



Wall mount



Corner mount



Pole mount

## Accessories

Installation mode	Accessories	Description
Pendant mount	TR-CE45-IN bracket	/
	Pendant components: TR-UF45-A-IN indoor ceiling plate TR-UF45-B-IN outdoor ceiling plate TR-SE45-IN pendant rod (200mm) TR-SE45-A-IN pendant rod (500mm)	Ceiling plate is optional with different pendant rod for various applications
Standing pole mount	Customized bracket	The interface is designed with internal G1½ screws. The screw depth must be more than 23 mm.
Wall mount	TR-WE45-IN bracket	/
Corner mount	TR-WE45-IN bracket + TR-UC08-A-IN bracket	/
Pole mount	TR-WE45-IN bracket + TR-UP08-A-IN bracket	/

### Zhejiang Uniview Technologies Co., Ltd.

South Tower, Building 10, Wanlun Science Park, 88 Jiangling Road, Hangzhou, P.R.China 310051

Email: [overseasbusiness@uniview.com](mailto:overseasbusiness@uniview.com); [globalsupport@uniview.com](mailto:globalsupport@uniview.com)

<http://www.uniview.com>

©2015 Zhejiang Uniview Technologies Co., Ltd. All rights reserved.

\*Product specifications and availability are subject to change without notice.